

FPS-1000

Flat-Panel Loudspeaker

Owner's Manual



ABOUT THIS PRODUCT...

**POSITION WITHIN
A ROOM WILL
STRONGLY INFLUENCE
PERFORMANCE...**

IMPORTANT!

INTRODUCTION

The Infinity FPS-1000 has been designed to offer the look of a custom-designed, in-wall speaker system in an easy-to-install on-wall product. Installation simply entails properly mounting your FPS-1000 to any flat wall surface.

Note that the FPS-1000 must be mounted using proper anchoring hardware (not included). You should ask an installation professional for help if you're unsure about the safety of your mounting location.

UNPACKING THE SPEAKERS

Check your FPS-1000's carefully. If they have been damaged in transit, report the damage immediately by calling your dealer and/or the trucking firm that delivered them.

POSITIONING

Since the location of the FPS-1000's will affect performance, it is essential you read this section very carefully prior to mounting the speakers. Should you have any questions relating to their installation, it's advisable that you call either your dealer or Infinity's Customer Service Department for advice.

Positioning tips:

When possible, mount your FPS-1000's where there is an unobstructed view of them from your listening area.

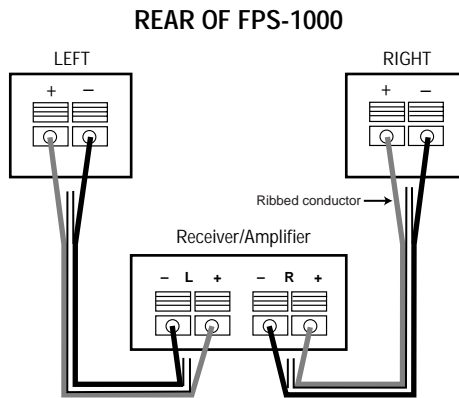
For the best possible stereo-sound presentation, mount your FPS-1000's on the same wall, about 6–8 feet apart.

Position the high-frequency drivers (tweeters) as close to ear level as possible. When this is not possible, you can improve the performance of your FPS-1000's by aiming the rotatable tweeters toward your main listening area.

HOOKUP

Your FPS-1000's are packaged with special flat speaker wire. When connecting your FPS-1000's with this wire, make sure to use correct polarity for the + and - connections. We suggest using the ribbed conductor for the positive terminal. See Figure 1.

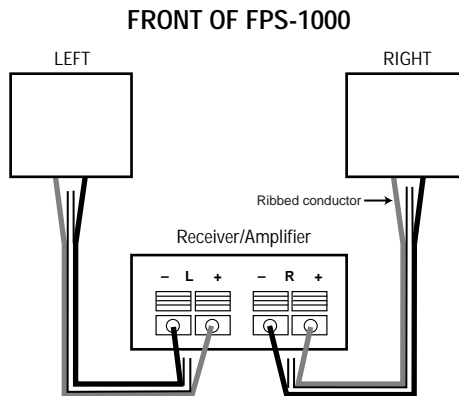
Figure 1.



NOTE: This wire is flat and about 5/8" wide.

The flat speaker wire allows you to neatly run the wire down/up the wall to your speakers (see Figure 2). The wires can be painted to better blend in with your decor.

Figure 2.



MOUNTING FPS-1000's

Your FPS-1000's come with four keyhole mounting locations at the rear corners of the enclosures.

NOTE: The customer is responsible for the correct selection and use of mounting hardware (available through hardware stores) that is necessary for the safe and proper wall mounting of the speakers.

SPECIFICATIONS

PERFORMANCE DATA

DRIVE UNITS

FINISH

DIMENSIONS

WEIGHT

FPS-1000

Recommended Amplifier Power:	15 ~ 75W
Frequency Response ($\pm 3\text{dB}$):	75 ~ 20,000Hz
Low-Frequency:	5-1/4" with 5-1/4" passive radiator
High-Frequency:	1" dome (rotating)
Crossover Frequency:	3,800Hz
Nominal Impedance:	6 Ohms
Sensitivity (2.83V @ 1 m):	88dB
Enclosure Finish:	White
Height, Width, Depth:	25-1/4 x 11-1/2 x 1-1/2" 641 x 292 x 38mm
	12 lbs (5.5 kg)

Declaration of Conformity



We, Infinity Systems A/S
Kongevejen 194B
DK-3460 Birkerød
DENMARK

declare in own responsibility, that the product described
in this owner's manual is in compliance with technical
standards:

EN 50081-1:1992

EN 50082-1:1992

Steen Michaelsen
Infinity Systems A/S
Birkerød, DENMARK. 10/98



Infinity continually strives to update and improve existing products, as well as create new ones. The specifications and construction details in this and related Infinity publications are therefore subject to change without notice.

© 1998 Infinity Systems, Inc., 250 Crossways Park Drive, Woodbury, NY 11797 USA
(800) 553-3332 (USA Only) Fax: (516) 682-3523
www.infinitysystems.com

Infinity is a registered trademark of Infinity Systems, Inc.

Part No. FPS1000OM